

GPGPU Parallel Merge Sort

James Devine and Jim Kukunas

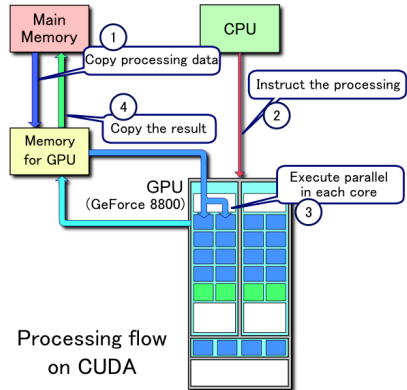
May 3, 2009

1 What is GPGPU?

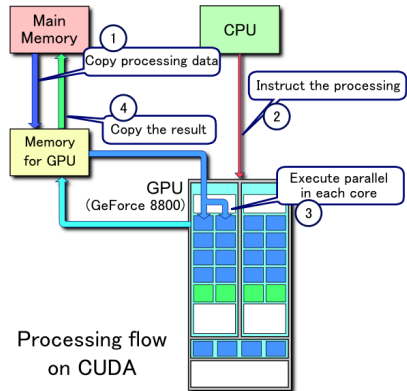
2 The Code

- The Main Function
- The Kernel Function
- The Merge Function

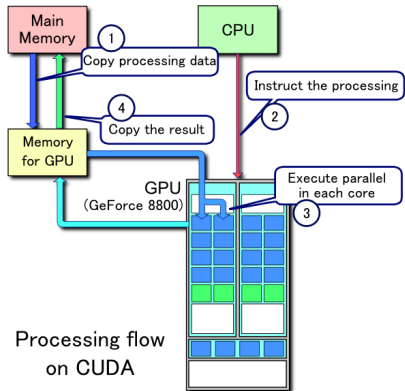
- GPGPU (General Purpose computing on a Graphics Processing Unit)
- CUDA (Compute Unified Device Architecture)
- Allows the programs to utilize the large number of processors on the GPU = highly parallel



- GPGPU (General Purpose computing on a Graphics Processing Unit)
- CUDA (Compute Unified Device Architecture)
- Allows the programs to utilize the large number of processors on the GPU = highly parallel



- GPGPU (General Purpose computing on a Graphics Processing Unit)
- CUDA (Compute Unified Device Architecture)
- Allows the programs to utilize the large number of processors on the GPU = highly parallel



Sections of Code

- 1 The Main Function
- 2 The Kernel Function
- 3 The Main Function